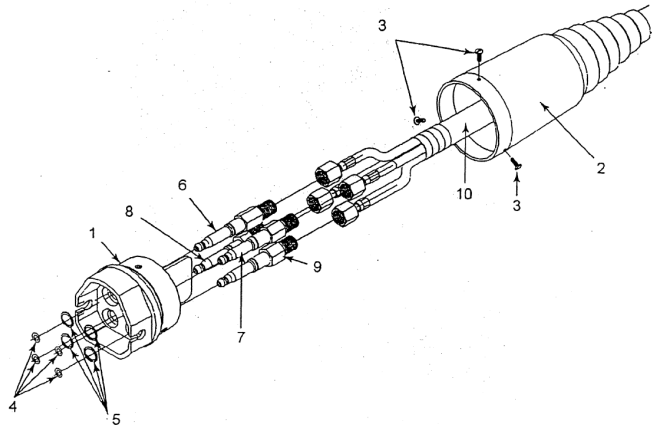


Quick Disconnect Removal

Ultima 150 Torch includes a quick disconnect. To connect same torch to 150PW you must remove the quick disconnect assy. Remove items 1 through 9 from item 10 torch leads. The torch leads will then connect direct to the 150PW male torch connections.



300PW and 150PW Torch connections.

Torch connections are standard Oxygen Right Hand B nut female (9/16"-18 Thread). Match each Hose color with color marked on Torch terminal connection board.

